

LUNA PRO 3.5"

Square Trimless, up to 2400 Lumens, 7-30 Watts
Recessed Downlighting

Job Information		
Project Name		Type
Location		
Quantity		Date
Contact/Phone		
Notes		

Features

Body

Durable airtight aluminum body with heat sink to provide maximum airflow for the LED light source.

LED Characteristics

This general application light fixture in 7 to 30 watt options that maintains uniform intensity producing up to 2400 lumens; with a typical CRI of 95. On-fixture color selectable switch allows switching between 2700 K, 3000 K, 3500 K, 4000 K and 5000 K color temperatures.

Dimming

100%-10% dimming capability. This fixture is compatible with industry standard forward-phase / reverse-phase and TRIAC/ELV dimmers. 0-10V dimming capability available with commercial driver (see dimming compatibility list).

Beam Spread

The fixture lens provides 20°, 30°, 40°

and 60° beam spread options.

Mounting

Trimless mudding frame with included mud stopper to attach to drywall ceilings. Maximum ceiling thickness 1 7/8".

LED Driver

Extruded aluminum hardwire box with dimmable class II electronic LED driver with 100-135V AC input. Includes an 18" FT6 rated cable with DC 2.1 connector between driver and fixture approved for use in plenums and suspended ceilings. Other optional drivers available.

Quick Connect push-in Terminals

Three "Quick Connect" push-in terminals for fast and easy wiring.

Minimum Starting Temperature

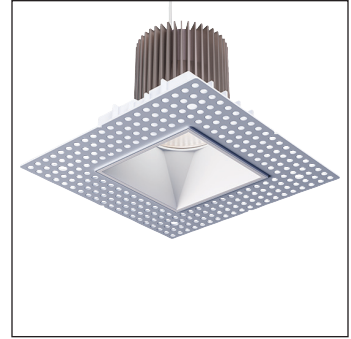
-40°C (-40°F)

Environment

• Suitable for damp locations.

- Suitable for indoor/outdoor applications
- Approved for direct contact with insulation (IC model only, up to 20W).
- Airtight

SPECIFICATION	
Aperture	3 1/2" (90mm)
Application	Trimless
Approved Location	Damp
Certification	cETLus
CRI	95
CCT	2700 K - 5000 K (CCT switch)
Dimming	1% (Standard) ⁵
Hole Cut	4 1/4" x 4 1/4" (108mm x 108mm)
Lumen Maintenance	70% @ 50,000 hrs
Max. Ceiling Thickness	1 7/8"
Power Factor	0.9
Power Supply Type	Constant Current
THD	<35%
Title 24	Yes
TM-30 Annex E	P1 / V- / F2
Warranty	Lifetime

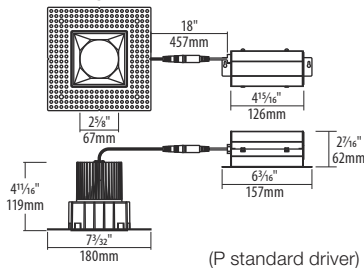


Description

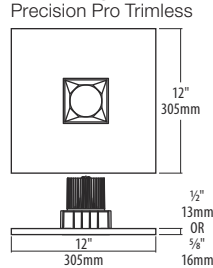
The LUNA PRO 3.5" series boasts a sleek modern look in square trimless and baffle color combinations. In addition, choose between 7-30W options with 2700 K - 5000 K color select switch. The regressed optics and various beam angles provide an intentional true trimless finish in your architectural space.

Technical Drawings

Mounting: Remodel



Mounting: New Construction



Ordering Guide

Wattage ¹	Color Temp	Style	Baffle shape	Beam	Lens Options	Driver Options	Baffle Color	Mounting	Shipping
RA35P-									
07 : 7W, 560 lumens (IC) 09 : 9W, 720 lumens (IC) 12 : 12W, 1000 lumens (IC) 16 : 16W, 1300 lumens (IC) 20 : 20W, 1750 lumens (IC) 31 : 30W, 2400 lumens, 120V (non-IC) 32 : 30W, 2400 lumens, 277V (non-IC) 33 : 30W, 2400 lumens, 347V (non-IC)	C : 5 CCT (2700K - 5000K) D : DTW (2000K - 3000K) ²	T : Trimless Precision Pro Trimless 1 : 1/2" Drywall 5 : 5/8" Drywall	S : Round-on-Square Q : Square-on-Square ⁶ 1 : Wall Wash ^{8,9}	S : Spot (20°) N : Narrow (30°) M : Medium (40°) W : Wide (60°)	2 : Softening C : Clear	T : 120V Standard, TRIAC/ELV ⁴ P : 120-277V, Commercial, 0-10V ⁴ C : 120-347V, Commercial, 0-10V ^{3,4} M : 120-277V, Emergency Backup, 0-10V ^{3,7} E : Lutron ECO, 120-277V input ^{8,4} D : DALI, 120-277V & 347V input ^{3,4} X : DMX, 120-277V ² A : Lutron Athena Wireless Node RF only (AWNRF) L : Leviton Intellect Wireless Controller O : 120-277V, 0-10V, 1% dimming S : 120-277V, TRIAC/ELV/0-10V	W : White B : Black G : Gold P : Specular S : Semi-Specular	RM : Remodel Construction (includes P-4020S-NC) AR : Architectural C-Chanel Brackets	1 : Ship Complete 2 : Ship Rough-in first

Notes:
¹ IC rating up to 20W. ² Available in 20W only. ³ Requires above ceiling access or remote driver mounting ⁴ Rated for -40°C starting temperature. ⁵ Refer to "LED Driver Options" for more details. ⁶ Q Baffle Shape must be used with S beam angle (up to 16W only). ⁷ Not available with 7W or 9W Wattage options. ⁸ Must be used with "W" beam angle, and IC rated up to 16W. ⁹ Only available in "W", "B" and "S" Baffle Colors. QuickShip option is available on orders of 100 pieces or less. QuickShip lead time may vary for orders greater than 100 pieces. No additional shipment rates apply. Subject to availability. For additional options please consult your Liteline representative. Due to our continued efforts to improve our products, product specifications are subject to change without notice.

Accessories



SLM-60-FC

60" Flexible connector, for use with SlimLED, Skye and Luna fixtures.



P-4020S

4 1/4" Square pre-mounting plate with driver attachment clip.



P-4020S-NC

4 1/4" Square new construction plate with driver attachment clip.



P-NCMK-1

New construction mounting kit. Includes hanger bars, brackets and screws.



VBE-1

Vapour barrier extender. For use in new construction applications.



VBE-2

Vapour barrier extender. For use in remodel applications.



P-CBKT

2 commercial mounting brackets. For use in conjunction with mounting frames.



LC-CRTL-3WAY-1

OnCloud Smart Wi-Fi 3-Way Switch, compatible with WIZ App.



LC-CRTL-DIM-1

OnCloud Smart Wi-Fi dimmer, 120V, compatible with WIZ App.

Minimum Dimming Levels	
Driver	Dimming
(T) Standard, 120V	10% TRIAC
(P) Commercial, 120-277V	10% 0-10V
(C) Commercial, 120-347V	10% 0-10V
(E) Lutron ECO, 120-277V	10% 0-10V
(D) DALI, 120-277V & 347V	1% DALI
(X) DMX, 120-227V	0.1% DMX
(A / L / O) 0-10V w/AUX	1% 0-10V

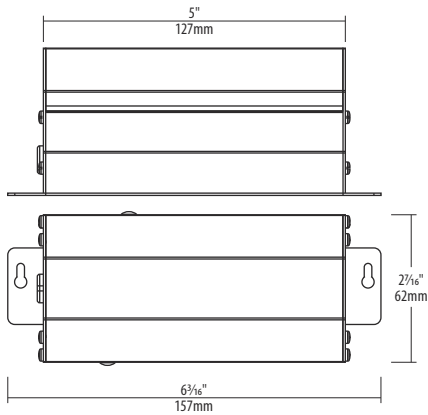
Lumen Output Chart

Correlated Color Temperature						
Wattage	2000K	2700K	3000K	3500K	4000K	5000K
7W		645	675	730	735	720
9W		810	845	920	925	905
12W		1015	1060	1155	1160	1135
16W		1255	1315	1435	1445	1410
20W		1485	1550	1675	1750	1720
20W DTW	50		1325			
33W		2030	2135	2335	2400	2340

NOTE: Results based on Baffle shape "RS". For Baffle shape "RQ", there is a 50% light loss (16W maximum).

Technical Drawings (Drivers)

Commercial Driver, 120-277V, 0-10V (Option P)



Commercial Driver, 120-347V, 0-10V (Option C)

